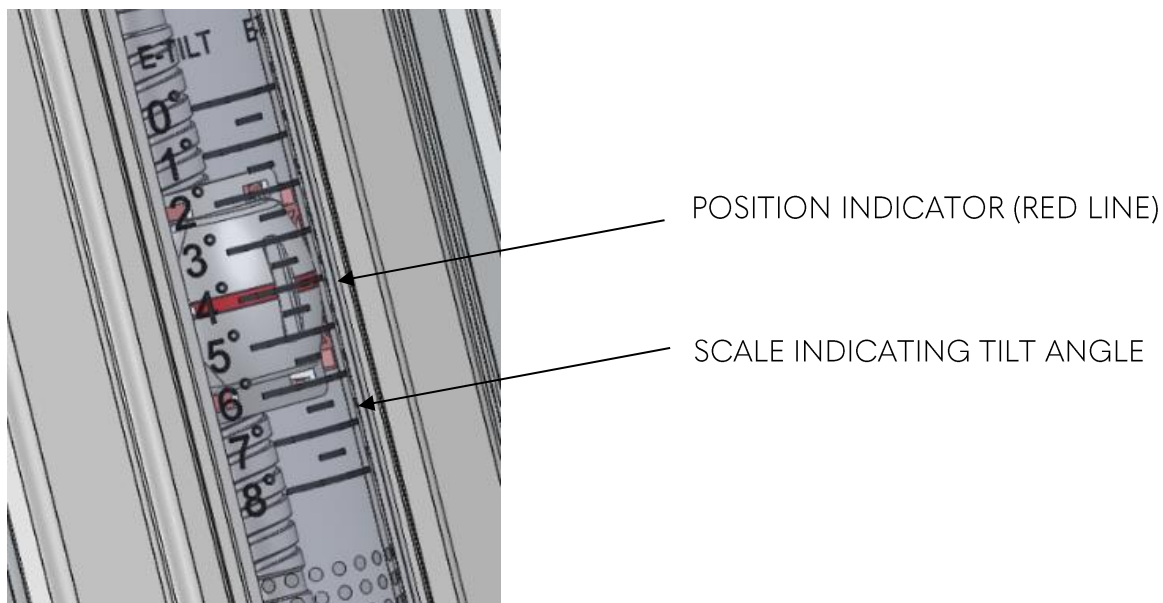


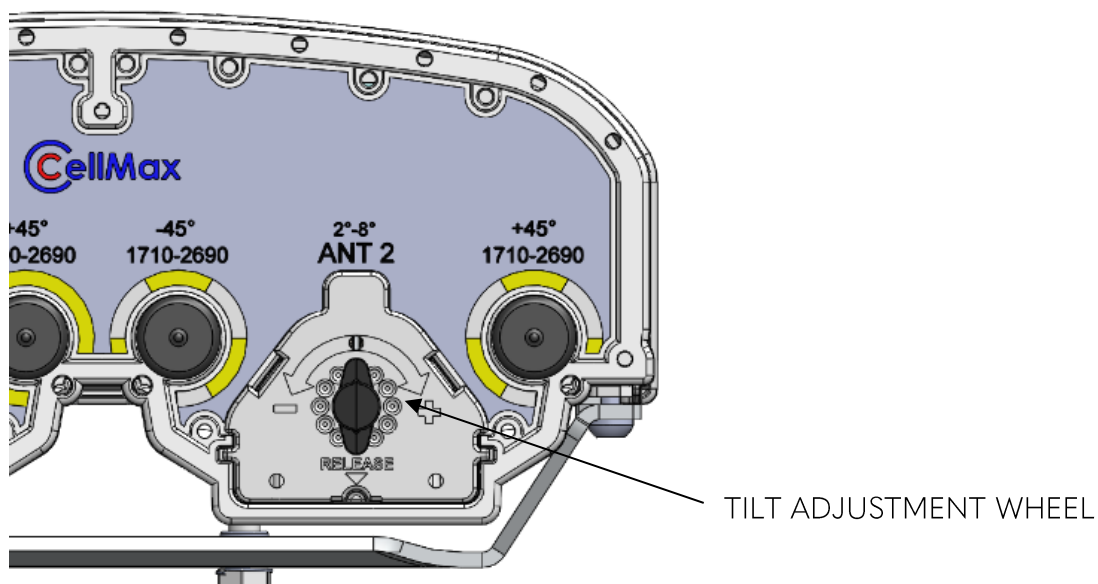
MANUAL E-TILT ADJUSTMENT UNIT CMA-MET-02

The visual down tilt indication found on the backside of the antenna:



The tilt angle is set when the position indicator line is aligned with the scale line for the desired tilt angle.

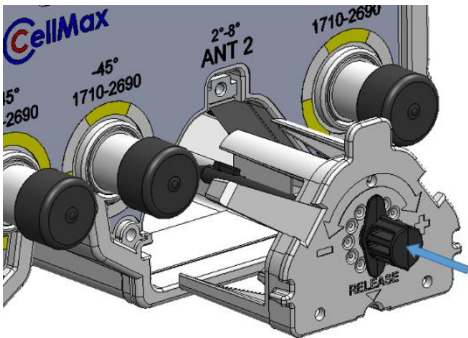
The manual e-tilt adjustment unit found on the bottom side of the antenna:



Turn the tilt adjustment wheel clockwise to increase the down tilt and counter clockwise to decrease it.

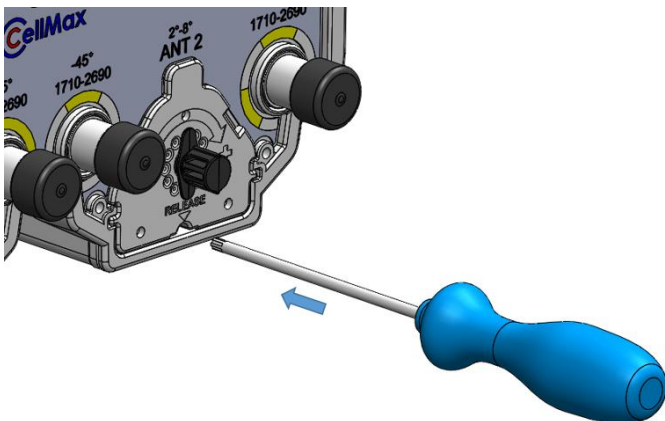
MANUAL E-TILT ADJUSTMENT UNIT CMA-MET-02

Mounting of manual e-tilt adjustment unit:

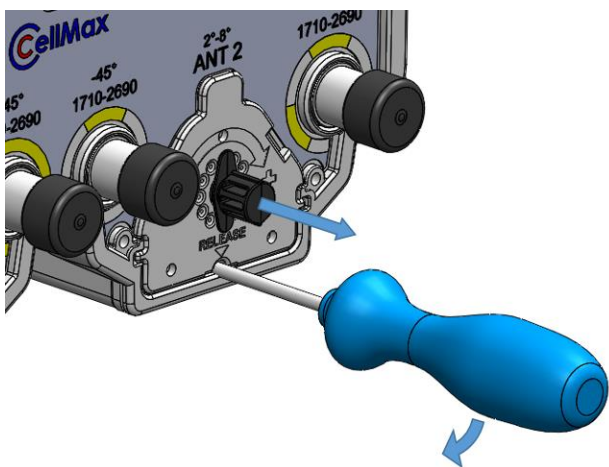


Slot the unit into the antenna until you hear a "CLICK".

Removal of manual e-tilt adjustment unit:



Insert a screwdriver T20 or equivalent in the opening marked "RELEASE".



Bend the screwdriver slightly and pull out the unit using the tilt adjustment wheel.