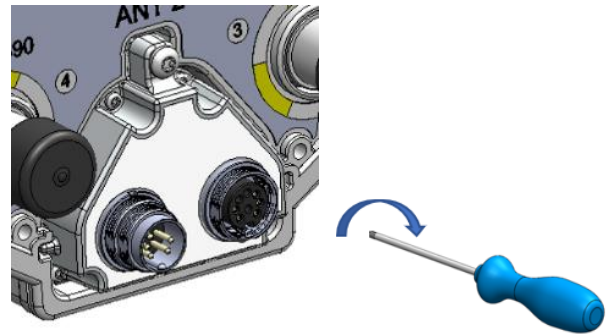
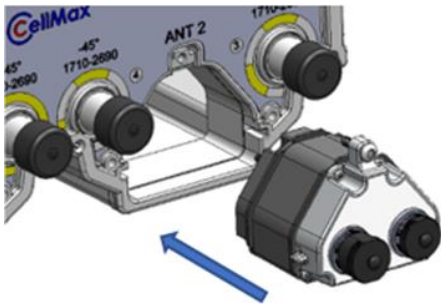


MOUNTING INSTRUCTION

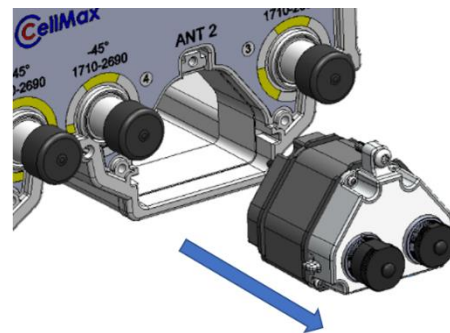
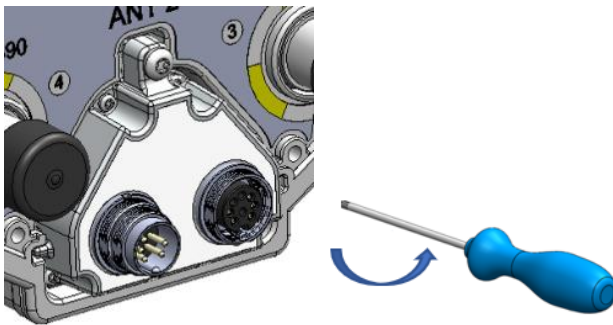
MOUNTING of the RET Motor Unit CMA-RET-02

Mounting of Ret motor unit:

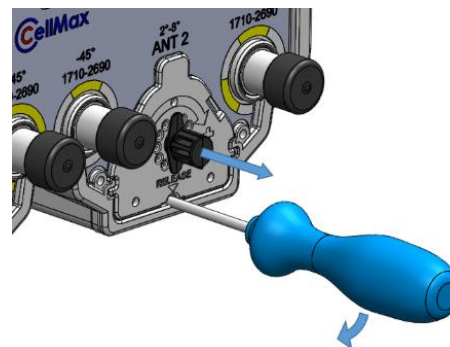
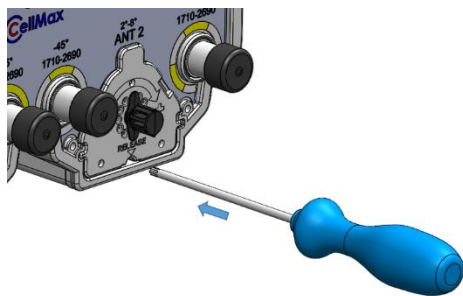


Slot the unit into the antenna and tighten the screw with $2,7 \pm 0,3$ Nm using a screwdriver T20. Remove protection caps and connect the AISG-cable(s) as required. Protection caps shall remain on connectors not connected to cables.

Remove the RET motor



Removal of MET adjustment



Insert a screwdriver T20 or equivalent in the opening marked "RELEASE":

Bend the screwdriver slightly and pull out the unit using the tilt adjustment wheel.

This device complies with Part 15 of the FCC Rules. Operation is subject to the following two conditions: (1) this device may not cause harmful interference, and (2) this device must accept any interference received, including interference that may cause undesired operation.
CAN ICES-3 (B)/NMB-3(B).