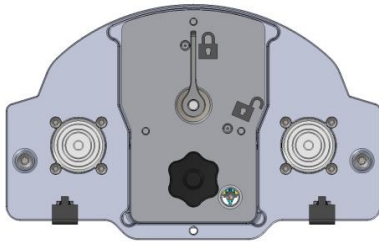


MOUNTING INSTRUCTION

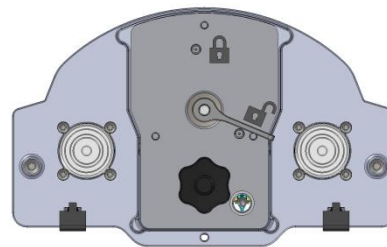
MOUNTING of the RET Motor Unit CMA-RET

1.



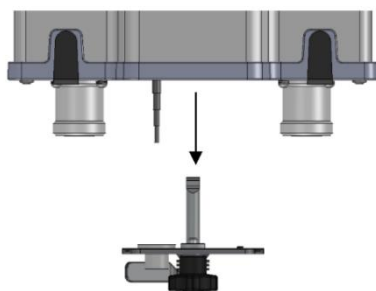
Start position. The handle is in locked position.

2.



Dismantle the unit by turning the handle to the unlocked position.

3.



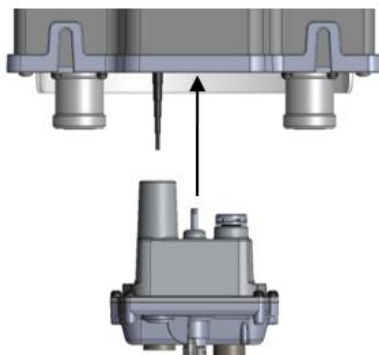
Remove the unit.

4.



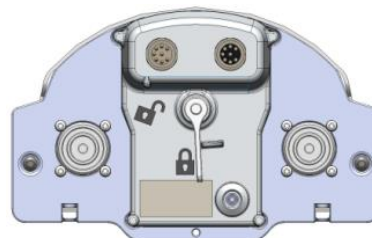
Check that the RET-unit is in unlocked position.

5.



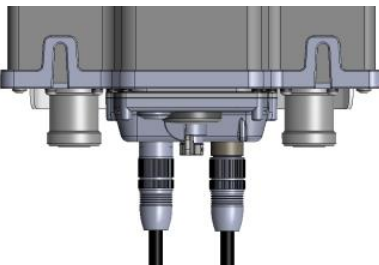
Mount the RET-unit in the antenna.

6.



Lock the RET-unit to the antenna by turning the handle to the locked position.

7.



Connect the AISG-cable(s) as required.

This device complies with Part 15 of the FCC Rules. Operation is subject to the following two conditions:

- (1) this device may not cause harmful interference, and
- (2) this device must accept any interference received, including interference that may cause undesired operation.